



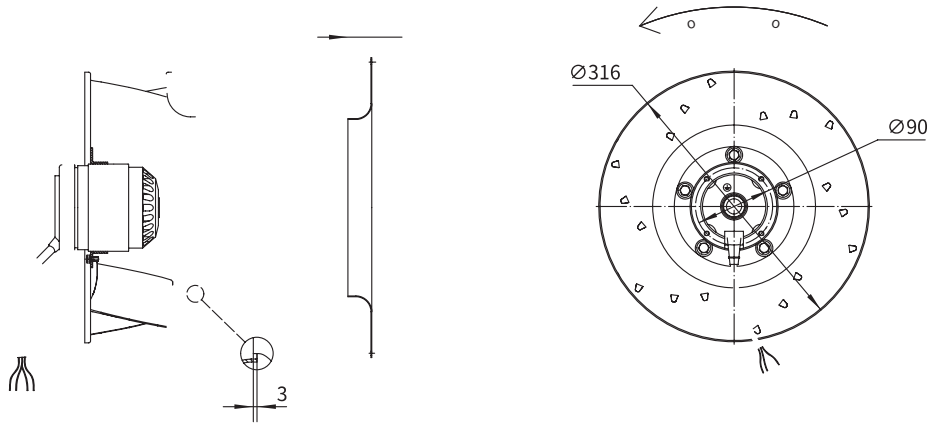
Backward Curved Centrifugal Fan with Conventional Metal Impeller



315

Rotor Material:
Impeller Material:
Ingress Protection:
Insulation Class:
Bearing Type:

Dimensional Drawings



Performance Curves

