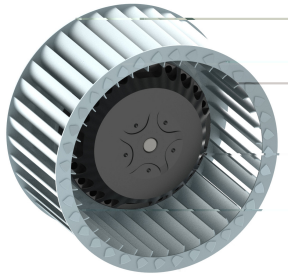




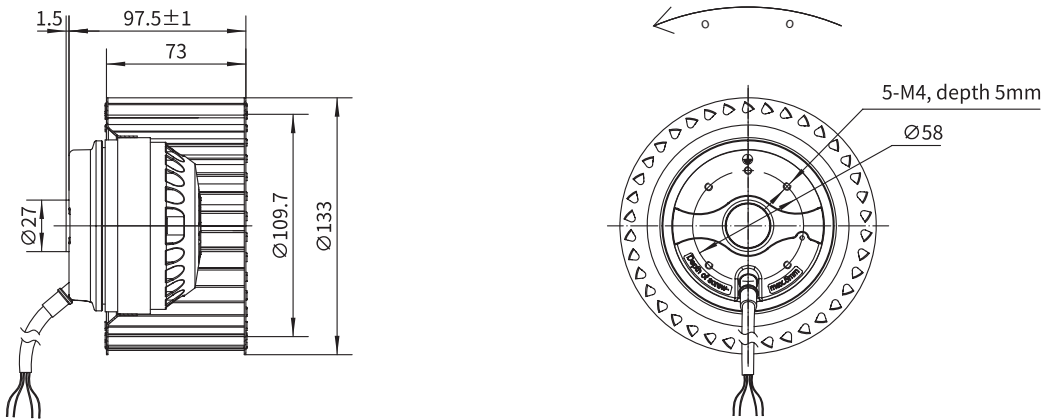
## Forward Curved Centrifugal Fan



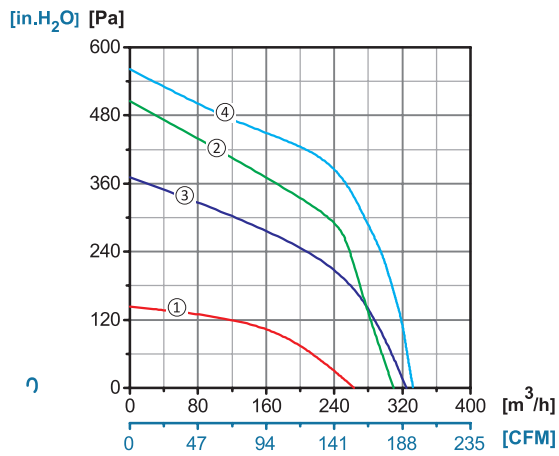
# 133

Rotor Material :  
 Impeller Material :  
 Ingress Protection:  
 Insulation Class:  
 Bearing Type:

### Dimensional Drawings



### Performance Curves



Prod. Mode No.	Voltage	Frequency	Current	Power	Speed	Capacitor	Air Flow (0 Pa)	Noise	Curve	Working Temp.	Approvals
	V	Hz	A	W	RPM	μF	[m³/h]/[CFM]	dB(A)	No.	Min/Max (°C)	
				42							
						3					
						3					